

THE PROPERTY OF THIS DRAWING IS ESTABLISHED BY LAW
IT IS FORBIDDEN TO REPRODUCE IT OR SHOW IT TO THIRD PARTY
WITHOUT A WRITTEN AGREEMENT.

MODIFICATIONS: _____

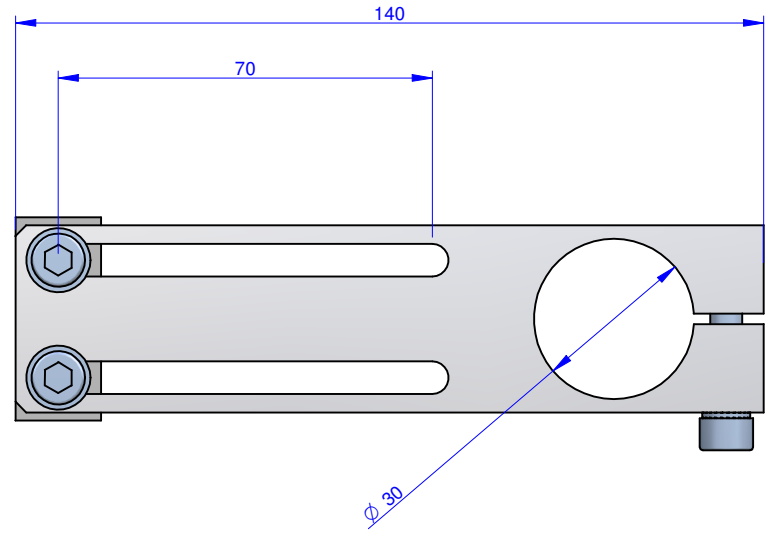
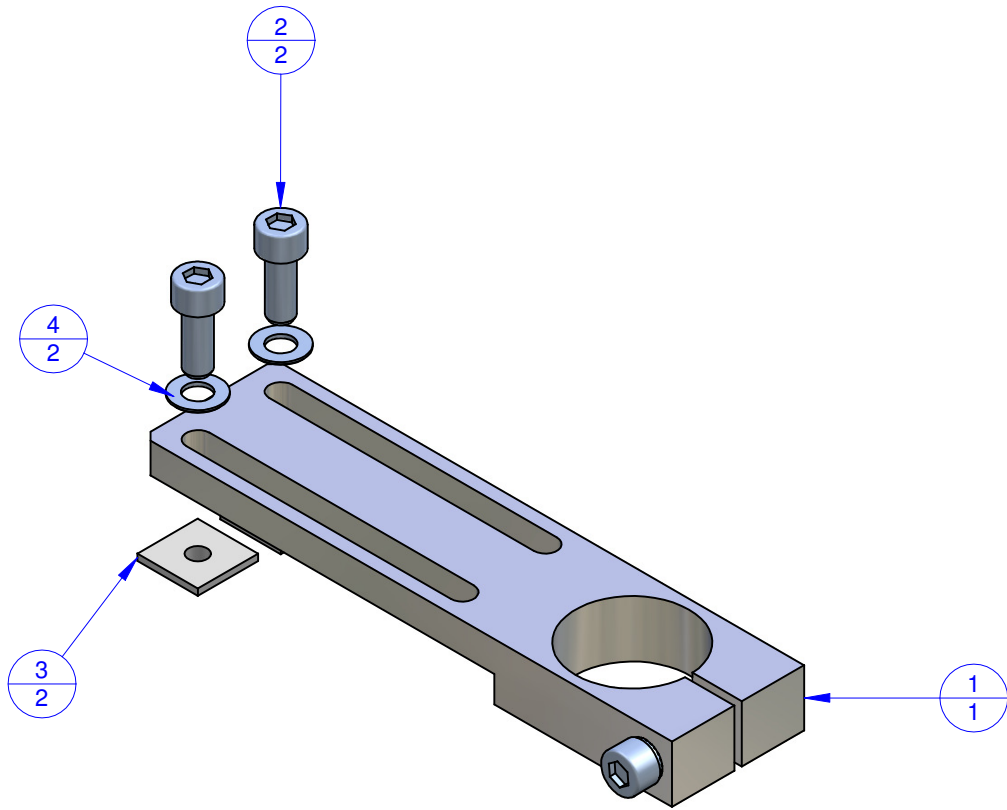
 (7) (8) (9)
 VARIED DIMENSIONS AS OF DATE: _____

 (10) (11) (12)


MODIFICATIONS: _____

 (1) (2) (3)
 VARIED DIMENSIONS AS OF DATE: _____

Format **A3**
 UNI 936-76



Object Number	Name	QTY
1	CA.04.02.30	1
2	V.TCEM6X16	2
3	CA.02.05.009	2
4*	R.6	2

FP Services 		DESIGNED FROM FPSERVICES	
		DATE 04/2008	WEIGHT 0,000 kg
GENERAL TOLERANCE: UNI - ISO 2768 CLASSE f		CODE CA.04.02.30.6	